

howto Use Cassette Roman Blind Kit

Please read carefully before commencing

WE RECOMMEND A PROFESSIONAL OR A PERSON COMPETENT IN DIY UNDERTAKE THIS INSTALLATION

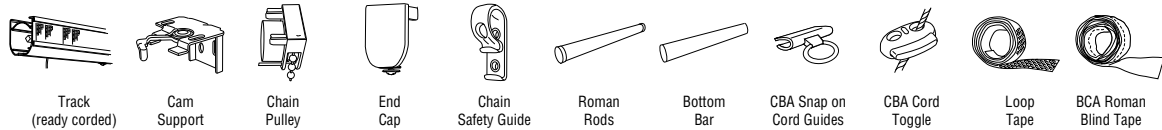
PLEASE NOTE Additional fasteners other than those sent with your blind may be required depending on the mounting surface. Wallboard and plaster require the use of anchors such as expansion or toggle bolts. Brick, tile or stone need special plugs and drill bits. Remember to always pre-drill holes in wood to avoid splitting.

YOU SHOULD HAVE



TOOLS REQUIRED

- Pencil
- Screw Driver
- Drill
- 6mm Drill Bit
- Hack Saw
- Tape Measure



TRACK LENGTH	Track (ready corded)	Cam Support	Chain Pulley	End Cap	Chain Safety Guide	Roman Rods	Bottom Bar	CBA Snap on Cord Guides	CBA Cord Toggle	Loop Tape	BCA Roman Blind Tape
60cm	1	2	1 (ratio 1:1)	1	1	5	1	10	2	0.62 Mtr	3.2 Mtr
90cm	1	3	1 (ratio 1:1)	1	1	5	1	15	3	0.92 Mtr	4.7 Mtr
120cm	1	3	1 (ratio 1:1)	1	1	5	1	15	3	1.22 Mtr	6.2 Mtr
150m	1	4	1 (ratio 1:3)	1	1	5	1	20	4	1.52 Mtr	7.7 Mtr
180cm	1	5	1 (ratio 1:3)	1	1	5	1	25	5	1.82 Mtr	9.2 Mtr
210cm	1	6	1 (ratio 1:3)	1	1	5	1	30	6	2.11 Mtr	10.7 Mtr

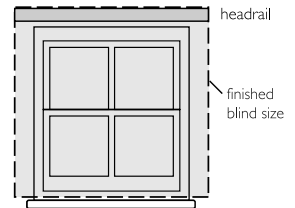
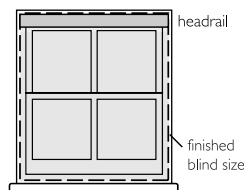
NOTE Cord pulleys on 60-120cm lengths operate on a ratio of 1:1, whilst 150-210cm operate on a ratio of 1:3.

STEP 1

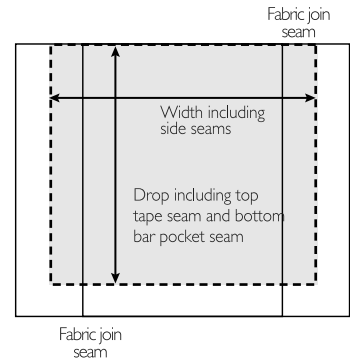
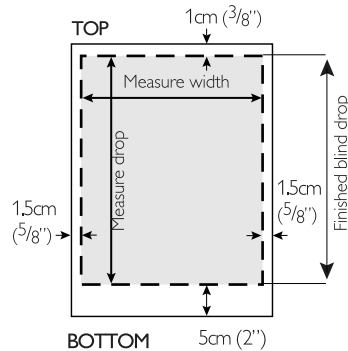
FABRIC REQUIREMENTS FOR YOUR BLIND

- A** Measure the width and drop of your window for recess fixed headrail or if you have mounted your blind headrail outside the recess, measure the width of the blind headrail by the drop required.
- B** Add to the finished blind measurements shown in diagram B. On wider blinds more than the fabric width wide, join the fabric so the blind will have seams an equal distance from the center. Mark the blind size plus seams with tailors chalk. Trim out size.

1 a



b

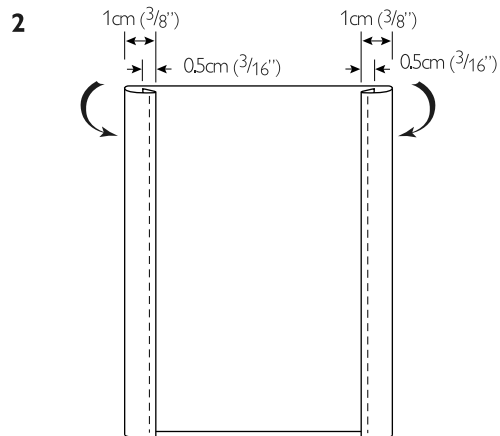


howto Use Cassette Roman Blind Kit

STEP 2

SEWING THE SIDE SEAMS

Working on the back of the fabric, fold the side fabric under 0.5cm ($\frac{3}{16}$ "") and then over 1cm ($\frac{3}{8}$ "") to form a seam and sew down the inner edge. Repeat for the opposite side.

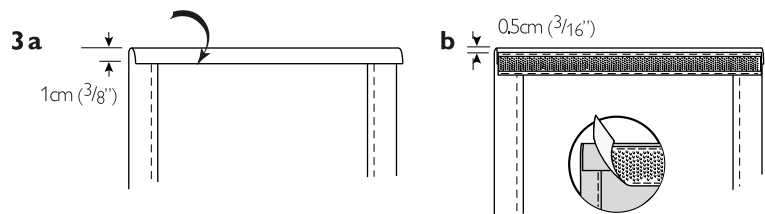


STEP 3

STITCHING THE LOOP TAPE TO THE TOP OF THE BLIND

Remove loop tape from headrail

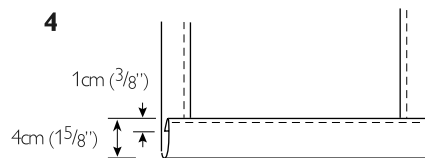
- A Fold over the top of the fabric 1cm ($\frac{3}{8}$ "").
- B Place the loop tape over the fold leaving a 0.5cm ($\frac{3}{16}$ "") gap between the tape and the top of the fold. Sew the tape into place with two rows of stitches - a row on top and a row on the bottom of the tape.



STEP 4

SEWING THE BOTTOM BAR POCKET

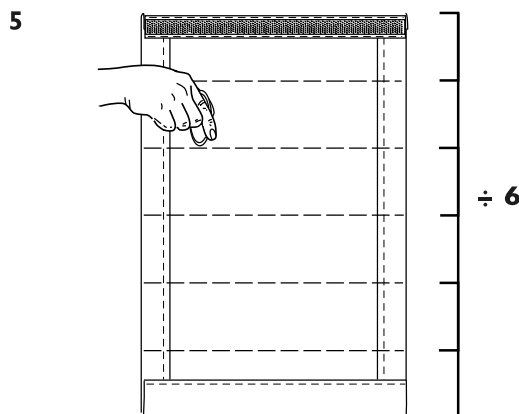
Fold over and create a 4cm ($1\frac{5}{8}$ "") pocket with a turn over of 1cm ($\frac{3}{8}$ "") as shown in the diagram. Stitch along the top edge hem/pocket.



STEP 5

MARKING THE TAPE POSITIONS

Divide the distance between the top and bottom of the blind by 6 and mark at both sides the position. With tailors chalk draw a faint line across the blind, NOTE: Ensure the lines are parallel before sewing blind in step 6.

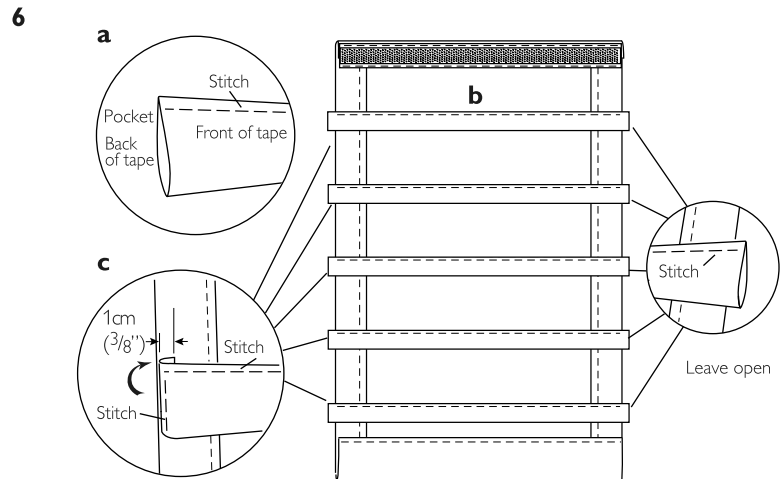


howto Use Cassette Roman Blind Kit

STEP 6

SEWING THE TAPE TO THE BLIND

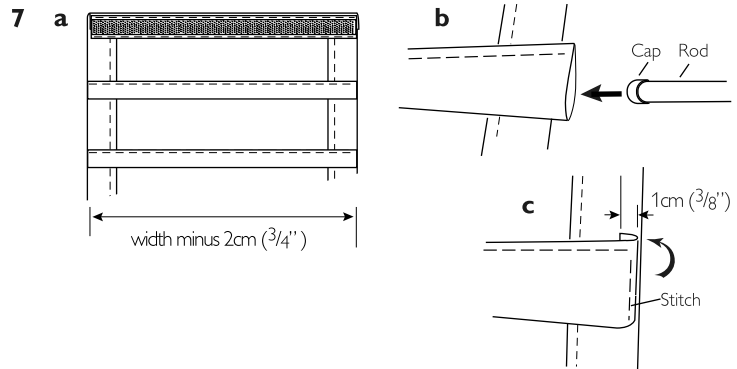
- A** Rotate the tape so that it is in the upright position with the rear pocket at the bottom of the tape as shown opposite.
- Trim rods and tapes only if required.**
- B** Measure and trim the 5 lengths of tape to the blind width plus 1cm ($\frac{3}{8}$ "") at either end for seams.
- C** Place the lengths onto the chalk marks made previously and turn one side of each length in 1cm ($\frac{3}{8}$ "") to form a hem on the tape.
- D** Sew to the blind with a row of stitching above the pocket area leaving one pocket end open on each to be hemed later.



STEP 7

INSERTING THE ROMAN RODS

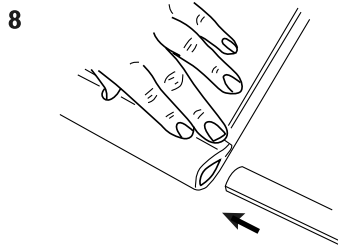
- A** Remove cap and trim the roman rods 2cm ($\frac{3}{4}$ "") shorter than the blind with. Replace cap.
- B** Insert into open ends of pockets on the blind tape.
- C** Fold the end of the pocket under 1cm ($\frac{3}{8}$ "") and stitch down the side.



STEP 8

INSERTING THE BOTTOM BAR

Trim the bottom bar to the same width as the roman rods cut previously (2cm ($\frac{3}{4}$ "") shorter than the blind width). Insert into the bottom pocket of the blind. Place a tacking stitch at each end to hold in place.



howto Use Cassette Roman Blind Kit

STEP 9

POSITIONING THE HEADRAIL

Please note: Additional fasteners other than those sent with your blind may be required depending on the mounting surface. Wallboard and plaster require the use of anchors such as expansion or toggle bolts. Brick, tile or stone needs special plugs and drill bits. Remember to always pre-drill holes in wood to avoid splitting.

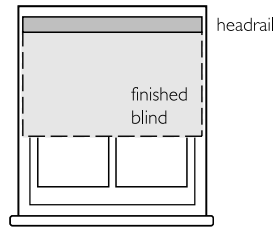
A Inside the recess

Decide the position of the headrail so that it will be clear of any latches and window fixtures. If you need to reduce the width of the headrail to fit the recess, **this should be done before assembling**. See 'Trimming the headrail' instructions below.

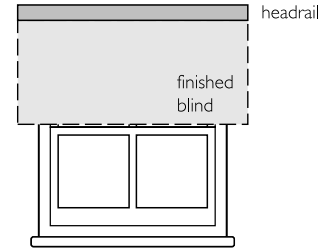
A Outside the recess

Decide the position of the headrail so that the overlaps on both sides of the recess are equal. It is advisable to allow a minimum of 5cm (2") overlap on each side.
The headrail shall not be installed less than 1.5m from the floor.

9 a



b



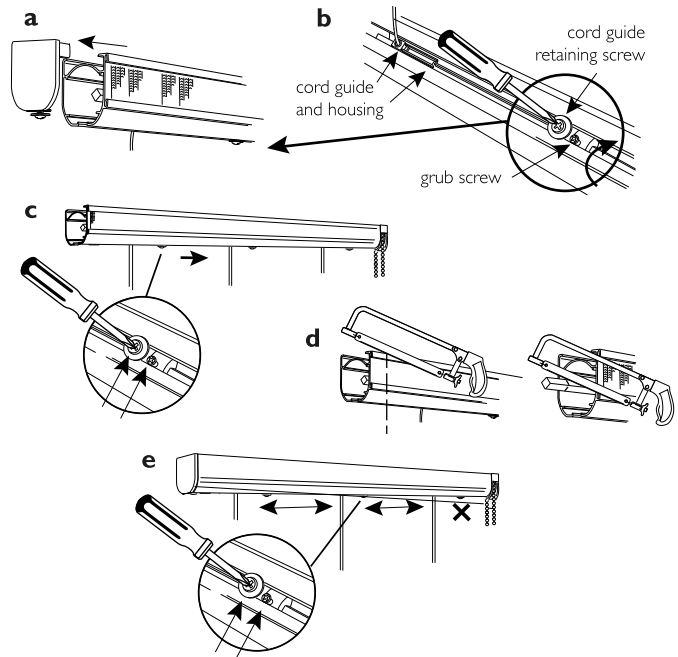
STEP 10

TRIMMING THE HEADRAIL

Tools required are a hacksaw and Phillips screw driver.

- Loosen the end cover retaining screw, slide and remove end cover from rail.
- Loosen the cord guide retaining the screw and the small grub screw, located underneath the rail.
- Slide cord guide and housing with grub screw further up the rail to desired position. Re-lock grub screw and cord guide retaining screw.
- Using a fine toothed hacksaw trim the rail. When trimming the rail be sure to cut an equal amount from the inside bar, e.g. trim rail 2cm = trim the bar 2cm.
- Unscrew and reposition the centre cord guide if needed. Re-secure the guides. Should you desire the blind to draw from the left hand side - see point 16 and 17 overleaf before re-securing the guides.

10

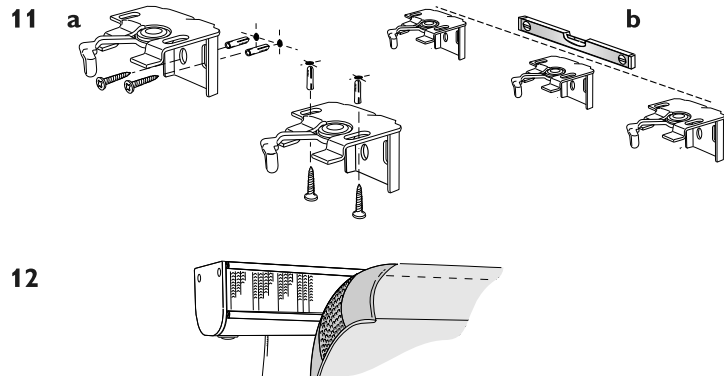


how to Use Cassette Roman Blind Kit

STEP 11

FIXING THE BRACKETS

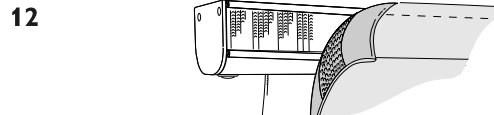
- A** The brackets are designed to face or top fixing to frame, wall or ceiling.
- B** Mark through the screw holes the position for the cam supports making sure they are level and in line, check with a spirit level.
With the brackets removed, drill each bracket screw position. Fix brackets into place using screws provided, check alignment and level as you go. Use the wall plugs provided for plaster and masonry walls. We recommend for plaster walls a wooden batton be secured first.



STEP 12

ATTACHING THE BLIND TO THE TRACK

Line up the blind/loop tape with the hook tape on the track and press firmly to secure the blind in place.



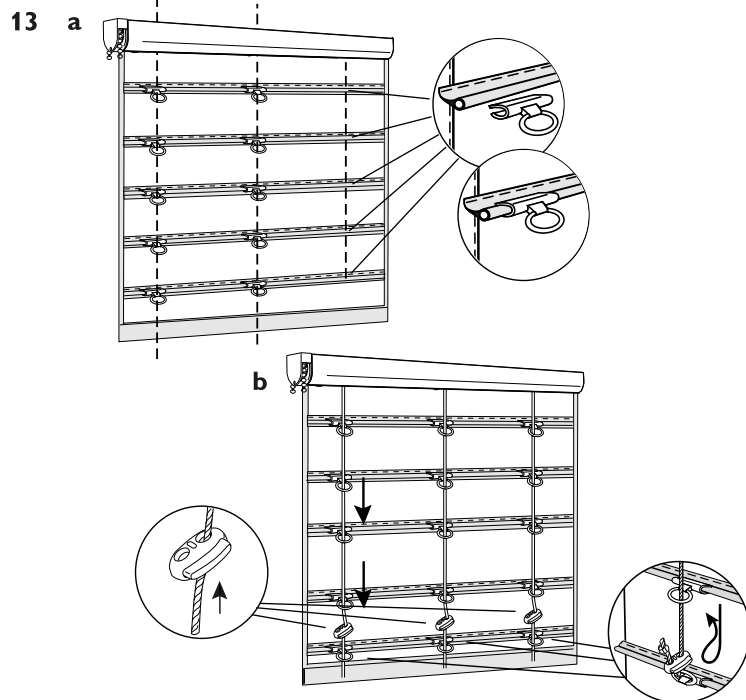
STEP 13

CORDING THE BLIND

For ease of assembling the rail is pre-corded.

- A** Working vertically from where each cord will drop from the cord guides, clip the snap on cord guides onto each row of tape.
- B** Working from the blind top, thread the cords down through the rings in the snap on cord guides. Before placing through the last ring in each row, slide on a cord toggle. Loop the cord around the last clip on guide ring and back through the cord toggle. **Do not allow the cords to become twisted.**
With the blind held in a level, vertical position, adjust the cord toggles so that equal tension is held on each and they are level. Knot to secure.

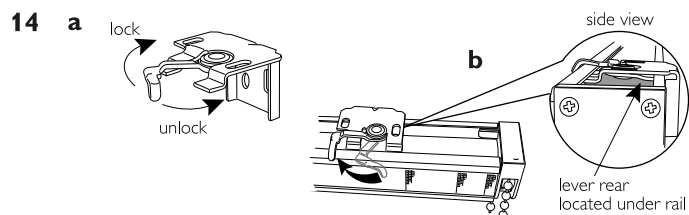
Should the cord guides ever become detached please ensure when replacing that they are aligned vertically and that the cord toggles have equal tension on each and they are level.



STEP 14

HANGING THE RAIL

- A** With the cam supports in the unlocked position, mount the rail onto the supports by resting the front lip of the rail onto the front of the supports.
- B** Secure by sliding the lever on the cam supports into the lock position.



howto Use Cassette Roman Blind Kit

STEP 15

MOUNTING THE CHAIN SAFETY GUIDE

Read these instructions carefully before installing and using the chain safety guide.

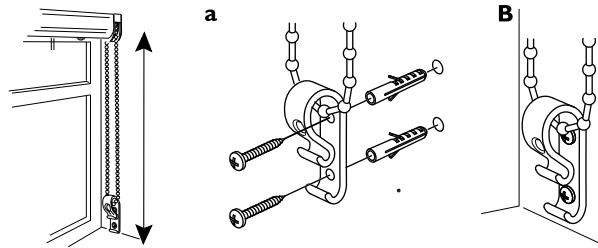
Children can be strangled if the chain safety guide is not installed correctly. Use of safety devices helps reduce the risk of strangulation but cannot be considered entirely fool proof.

A With the chain safety guide on the chain, mark a suitable mounting position for the chain safety guide at a point where it keeps the chain taut. It is essential that the chain safety guide shall be installed at the maximum distance possible from the control mechanism to prevent the looped chain becoming slack.

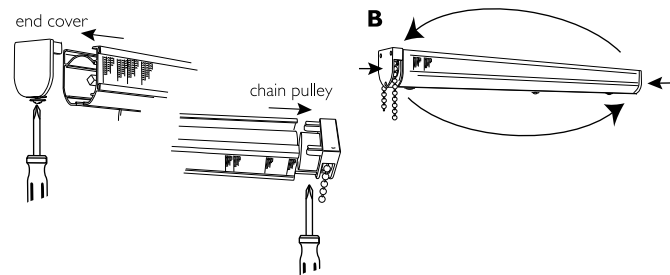
B Use appropriate fixings to mount the chain safety guide, depending on the surface to which the device is being fitted.

Children can strangle if this safety device is not installed. Always use this device to keep cords or chains out of reach of children.

15



16 a



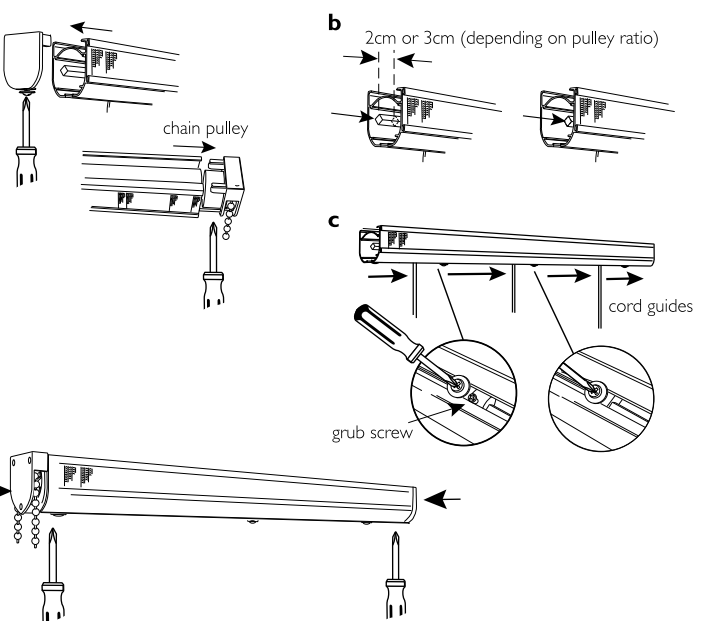
STEP 16

CONVERTING TO LEFT HAND DRAW-UNTRIMMED TRACK

A Unscrew, slide and remove the end cover and chain pulley.

B Slide the end cover and chain pulley into the opposite ends of the rail from previous. Tighten screws to secure.

17 a



STEP 17

CONVERTING TO LEFT HAND DRAW-TRIMMED TRACK

A Unscrew, slide and remove the end cover and chain pulley.

B Slide the inner bar at the end where the chain pulley will be placed into the rail so it is at least 2cm from the rail end for 120 - 150cm, and 3cm for 150 - 210cm rails.

C Rotate the bar so that the grub screws at the side of the cord guides are accessible. Loosen both the cord guide screws and grub screws. Reposition so that they align with the cord positions of the blind. Secure the cord positions on the blind.

D Slide the end cover and chain pulley into the opposite ends of the rail from previous. Tighten screws to secure.



WARNING

Young children can be strangled by loops in pull cords, chains, tapes and cords that operate the product.

To avoid strangulation and entanglement, keep cords out of the reach of young children. Cords may become wrapped around a child's neck. Move beds, cots and furniture away from window covering cords.

Make sure cords do not twist and create a loop. Children can strangle if the chain safety guide device is not installed. Always use this device to keep chain out of reach of children

